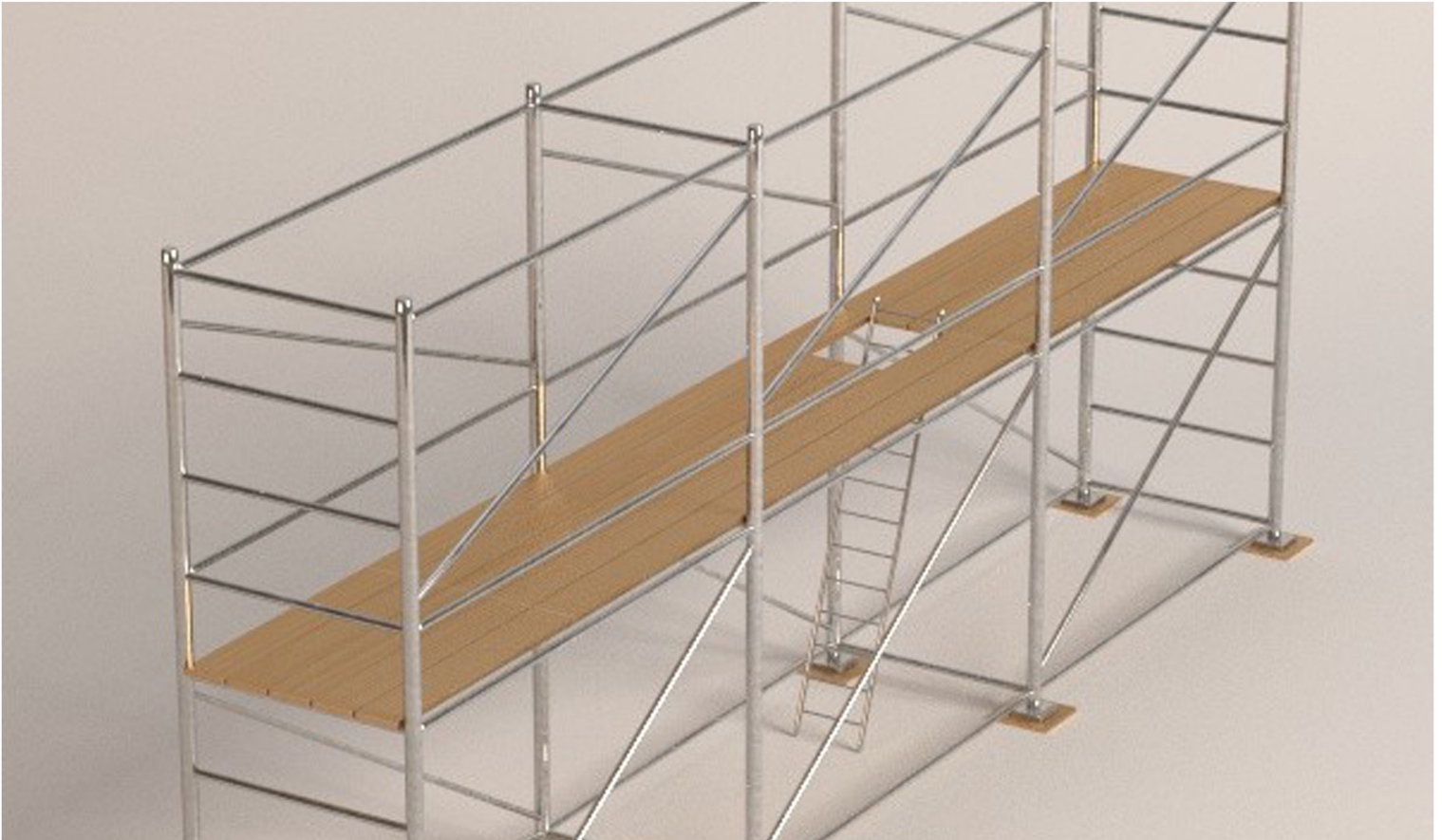


Frame scaffold catalogue



Frame Scaffold Catalogue

8 Woodlands Loop Singapore 738323
Tel: 67591560 Fax: 67591562

Frame Scaffold



Product Description

- ✓ Tubular metal frame scaffolding systems are probably one of the most commonly used scaffold system in the construction industry. The scaffold consists of welded steel frames connected by cross braces to form a framework to support scaffold planks or other scaffold platform systems.

Features

Easily Set Up

A frame scaffold system can easily be assembled and dismantled and offers a higher resistibility against collapse.

Economical

Frames are versatile and easy to use. They are also light in weight and can easily be moved around the construction site.

Standardised

Erected one above the other and rely on internal framing parts to stabilise the scaffold in one direction and cross bracing in the other thus offering greater stability.

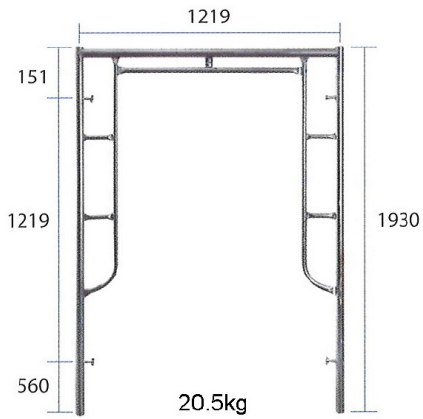
Compatibility

Is compatible with standard tube and coupling accessories and parts thus allowing additional versatility.

Frame Scaffold

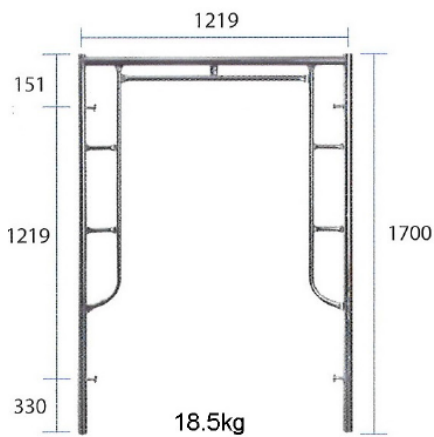


Basic Components



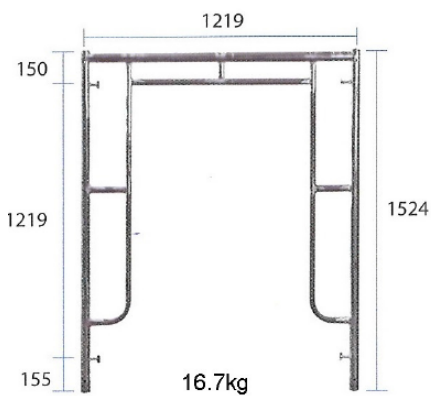
Frame

ITEM CODE	A4064
ITEM DESCRIPTION	1219 X 1930mm
PACKAGING	50 PCS / BUNDLE



Frame

ITEM CODE	A4055
ITEM DESCRIPTION	1219 X 1700mm
PACKAGING	50 PCS / BUNDLE



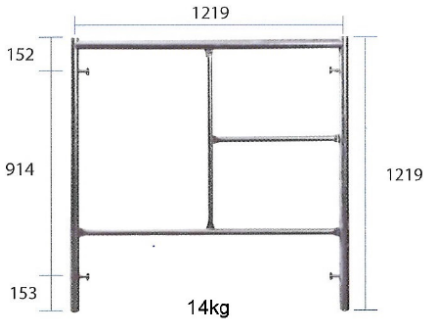
Frame

ITEM CODE	A405
ITEM DESCRIPTION	1219 X 1524mm
PACKAGING	50 PCS / BUNDLE

Frame Scaffold

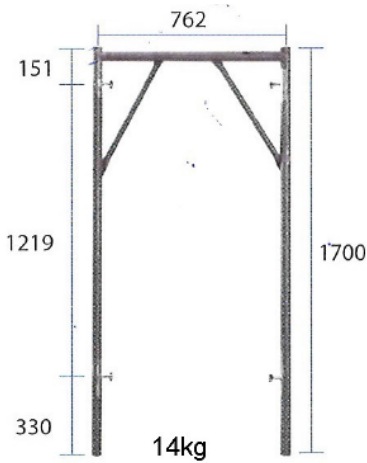


Basic Components



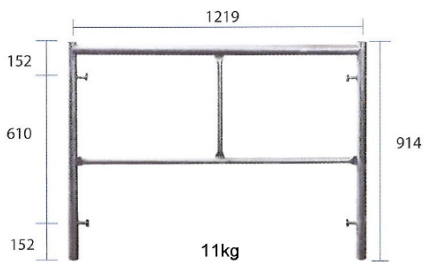
Frame

ITEM CODE	A404
ITEM DESCRIPTION	1219 X 1219mm
PACKAGING	50 PCS / BUNDLE



Frame

ITEM CODE	A7117
ITEM DESCRIPTION	762 X 1700mm
PACKAGING	50 PCS / BUNDLE



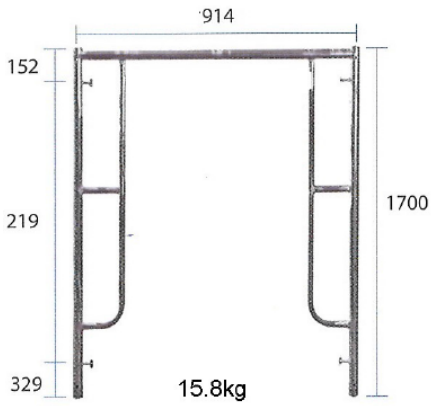
Frame

ITEM CODE	A403
ITEM DESCRIPTION	1219 X 914mm
PACKAGING	50 PCS / BUNDLE

Frame Scaffold

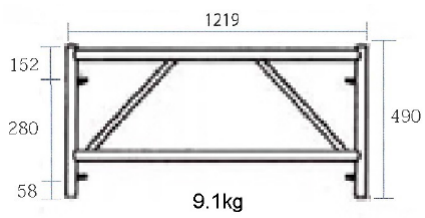


Basic Components



Frame

ITEM CODE	A3055
ITEM DESCRIPTION	914 X 1700mm
PACKAGING	50 PCS / BUNDLE



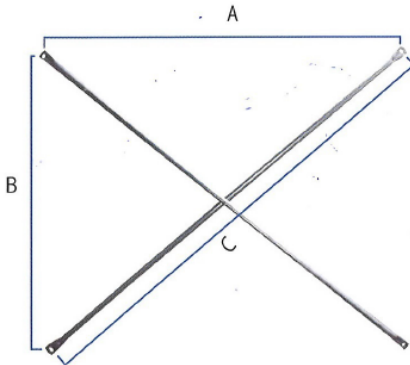
Frame

ITEM CODE	A417
ITEM DESCRIPTION	1219 X 490mm
PACKAGING	25 OR 30 PCS / BUNDLE

Frame Scaffold



Basic Components



Cross Brace

ITEM CODE	WEIGHT(KG)	DIMENSION			PACKAGING
		A	B	C	
A14	4.2	1829	1219	2198	100 PCS / BUNDLE
A11	3.7	1524	1219	1952	100 PCS / BUNDLE
A13	3.3	1219	1219	1724	100 PCS / BUNDLE
A19	3.9	1829	914	2045	100 PCS / BUNDLE
A18	3.4	1524	914	1777	100 PCS / BUNDLE
A012	2.9	1219	914	1524	100 PCS / BUNDLE
A08	3.7	1829	610	1928	100 PCS / BUNDLE
A9	3.1	1524	610	1642	100 PCS / BUNDLE
A12	2.6	1219	610	1363	100 PCS / BUNDLE
A65S	3.5	1829	280	1850	100 PCS / BUNDLE
A16	3.0	1524	280	1549	100 PCS / BUNDLE
A16A	2.5	1219	280	1251	100 PCS / BUNDLE
A09	2.1	914	610	1099	100 PCS / BUNDLE

Frame Scaffold



Basic Components



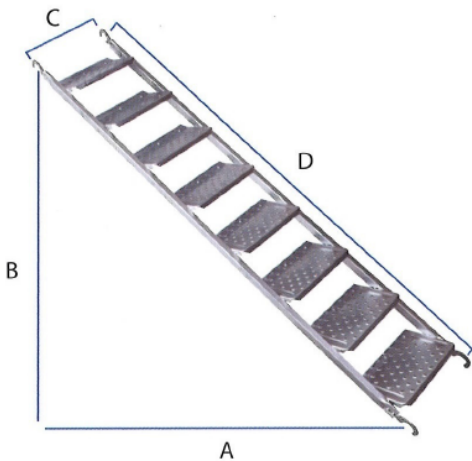
Metal Decking

ITEM CODE	MD2	MD3	MD4 (small)	MD4 (big)
ITEM DESCRIPTION	240 x 2000mm	240 x 3000mm	210 x 4000mm	240 x 4000mm
PACKAGING	100 PCS / BUNDLE	100 PCS / BUNDLE	100 PCS / BUNDLE	100 PCS / BUNDLE



Catwalk panel

ITEM CODE	SKN-6
ITEM DESCRIPTION	500 X 1829mm



Scaffolding Stair

ITEM CODE	NK3055				NK3064			
	A	B	C	D	A	B	C	D
ITEM DESCRIPTION	1829 mm	1725 mm	450 mm	2514 mm	1829 mm	1955 mm	450 mm	2677 mm

Frame Scaffold



Basic Components



Monkey Ladder

ITEM CODE	ML3
ITEM DESCRIPTION	3000mm



Jack Base

ITEM CODE	A752L	
ITEM DESCRIPTION	Dia. 30mm x 600mm	Dia. 34mm x 600mm
PACKAGING	200 PCS / PALLET	200 PCS / PALLET



U-Head Jack

ITEM CODE	A752HSL	
ITEM DESCRIPTION	Dia. 30mm x 600mm	Dia. 34mm x 600mm
PACKAGING	200 PCS / PALLET	200 PCS / PALLET

Frame Scaffold



Basic Components



Adjustable steel prop

ITEM CODE	CD-34	CD-39
ITEM DESCRIPTION	2180mm to 3500mm	2580mm to 3900mm
WORKING LOAD (KN)	15	13



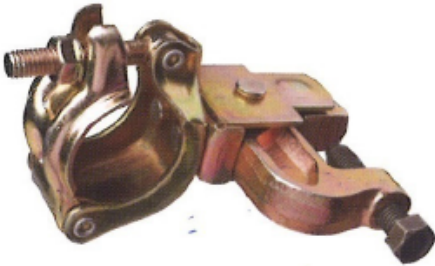
GI pipe

ITEM CODE	P1	P2	P3	P4	P5	P6
ITEM DESCRIPTION	Dia. 48.6mm x 2.4mm x 1000mm	Dia. 48.6mm x 2.4mm x 2000mm	Dia. 48.6mm x 2.4mm x 3000mm	Dia. 48.6mm x 2.4mm x 4000mm	Dia. 48.6mm x 2.4mm x 5000mm	Dia. 48.6mm x 2.4mm x 6000mm

Frame Scaffold

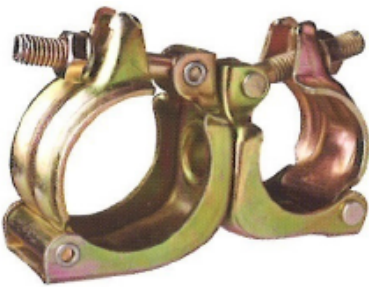


Basic Components



Beam Clamp

ITEM CODE	SBC	FBC
ITEM DESCRIPTION	Swivel	Fixed



Swivel Clamp

ITEM CODE	S1
ITEM DESCRIPTION	0.63kg



Fixed Clamp

ITEM CODE	F1
ITEM DESCRIPTION	0.63kg



Limpet Clamp

ITEM CODE	LC
ITEM DESCRIPTION	0.4kg

Frame Scaffold



Basic Components



Joint Pin

ITEM CODE	A20
ITEM DESCRIPTION	0.53kg



Sleeve Coupler

ITEM CODE	SC
ITEM DESCRIPTION	0.7kg



Bone Joint

ITEM CODE	BJ
ITEM DESCRIPTION	0.65kg



Ratchet Spanner

ITEM CODE	RS
ITEM DESCRIPTION	17/21

Frame Scaffold

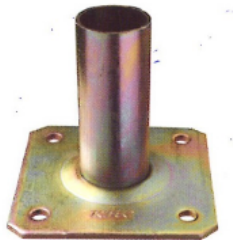


Basic Components



Safety Net

ITEM DESCRIPTION	1.8m x 5.1m
------------------	-------------



Base Plate

ITEM DESCRIPTION	fits 48.6mm GI pipe
------------------	---------------------



Heavy Duty Castor wheel

ITEM DESCRIPTION	8"
------------------	----



Clamp cover

ITEM DESCRIPTION	cover 1 side
------------------	--------------



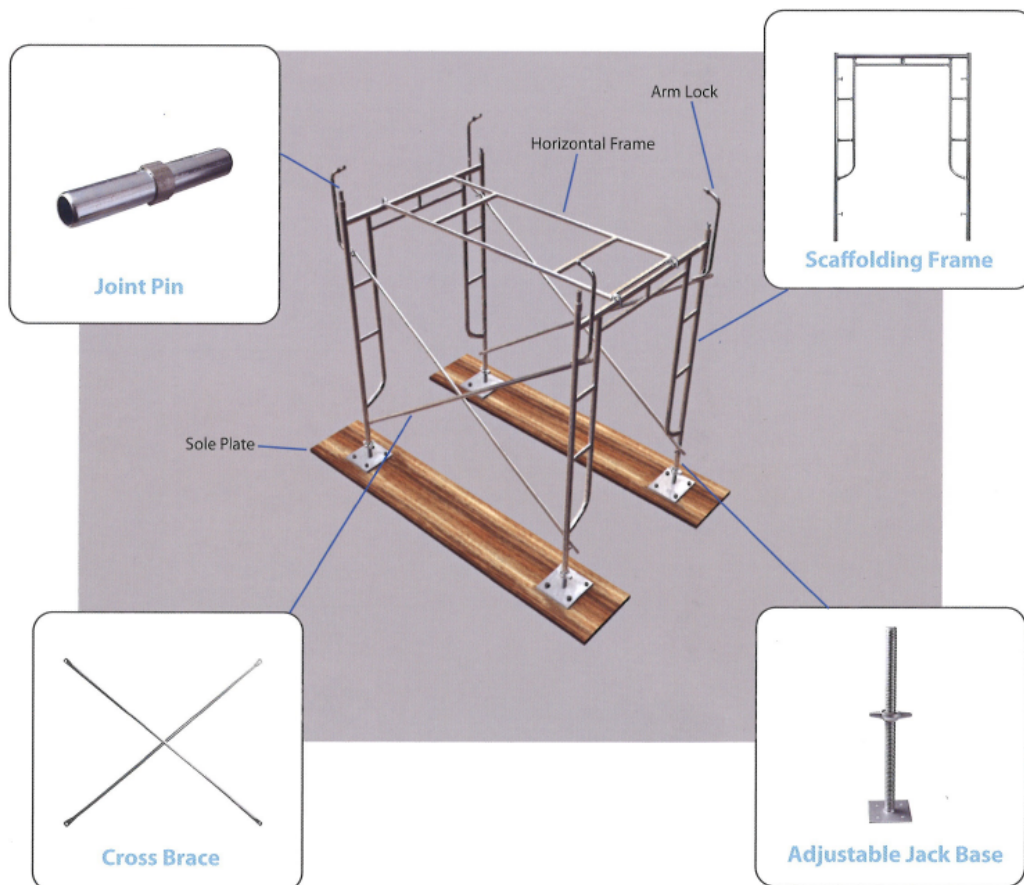
Pipe Cap

ITEM DESCRIPTION	Fits Dia. 48.6mm
------------------	------------------

Frame Scaffold

Assembly

1. Site levelling and clearing before erection.
2. Adjustable jack base shall be sitting on a sole plate while installing the scaffolding frames.
3. Cross brace shall be open and fixed to the locking pins provided on the frames.
4. Metal decking shall than be secured to the erected frames.
5. Joint pin shall be inserted to the top of the erected frame.



We're always there for you as one of the reputable supplier and service provider.

Yew Huat Scaffolding

Located at:

8 Woodlands Loop

Singapore 738323

TEL: 67591560

FAX: 67591562

Email: sales@yewhuatscaffold.com

www.yewhuatscaffold.com



One of the Most Experience Scaffolding Company in Singapore